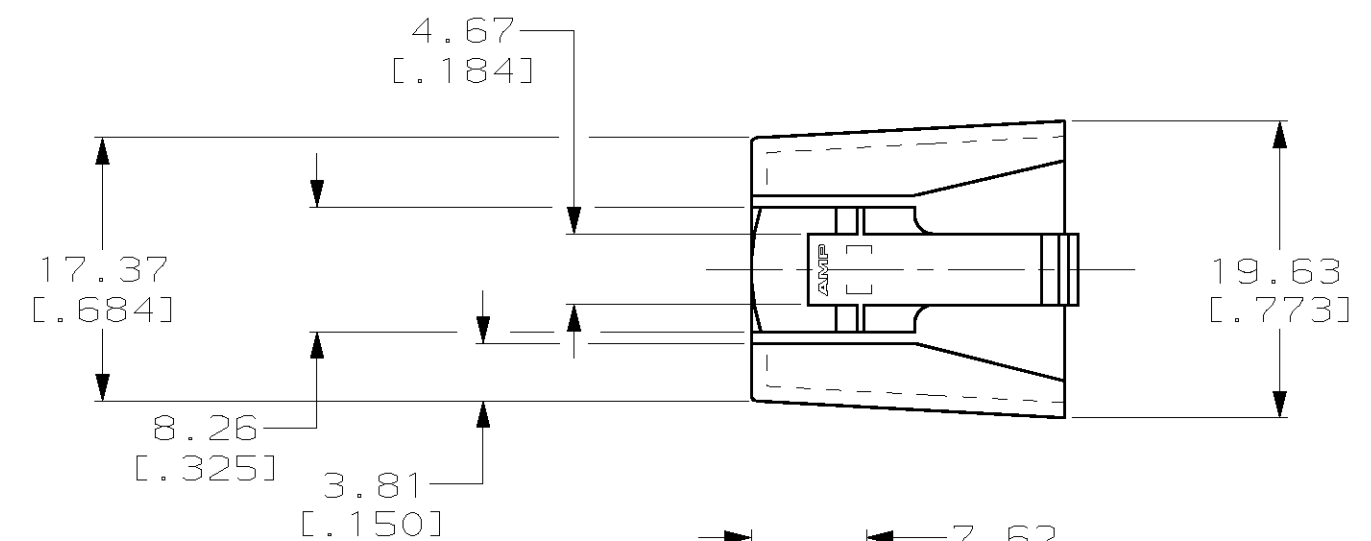
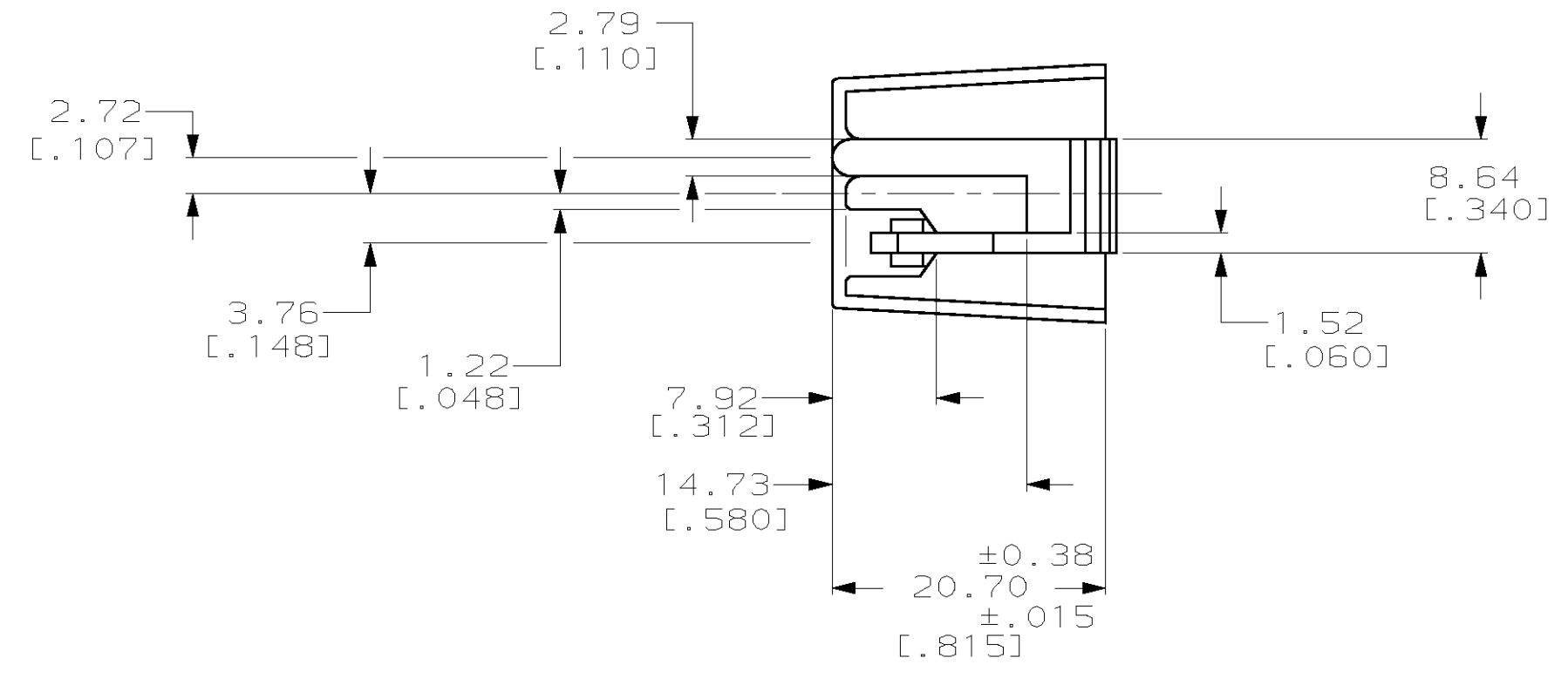
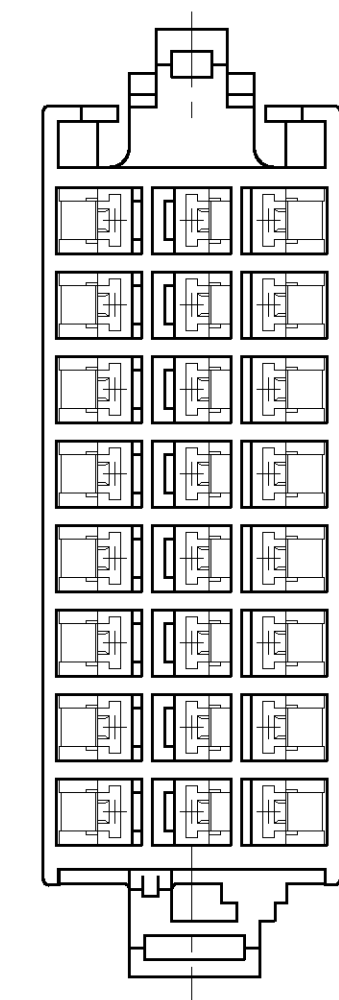
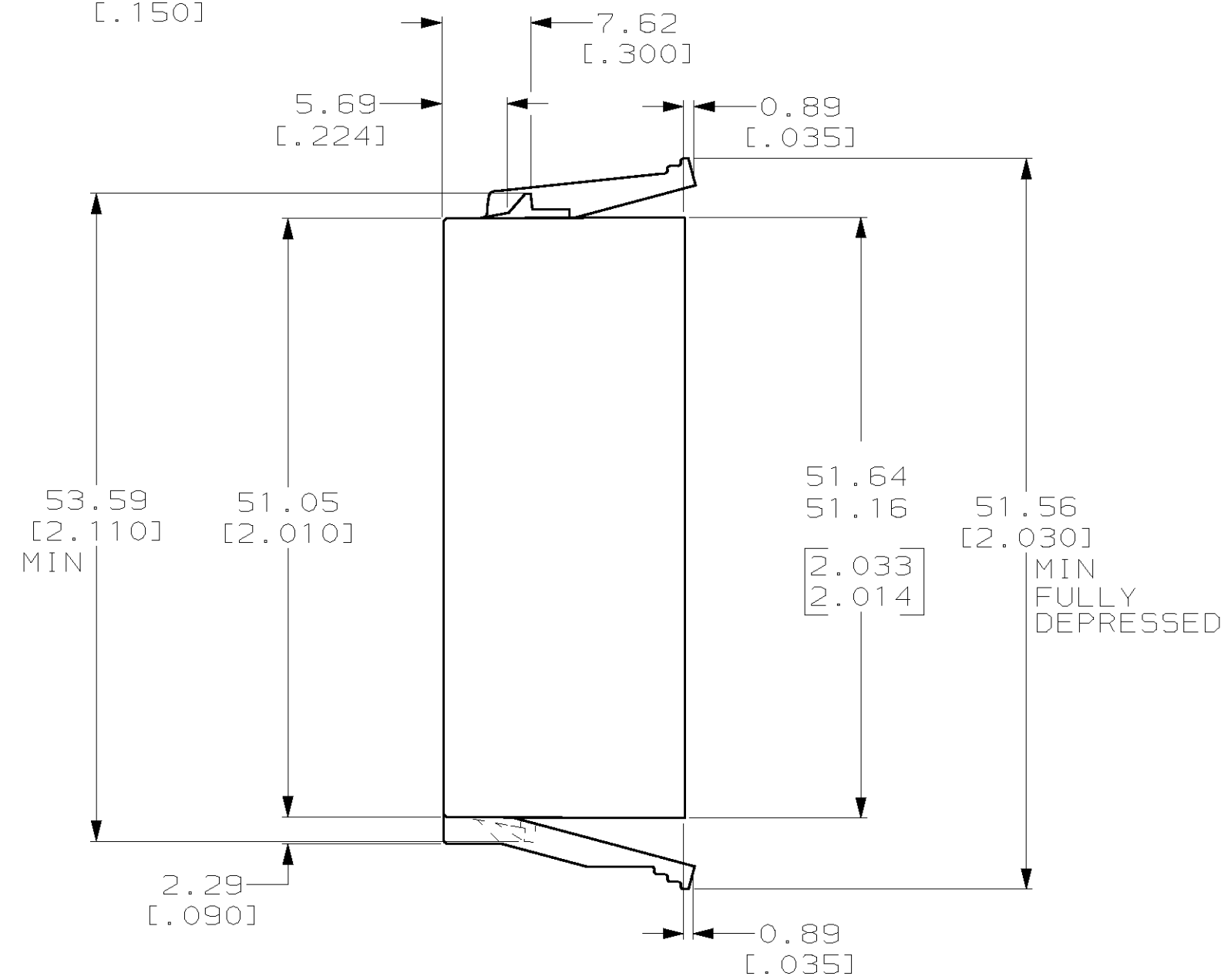
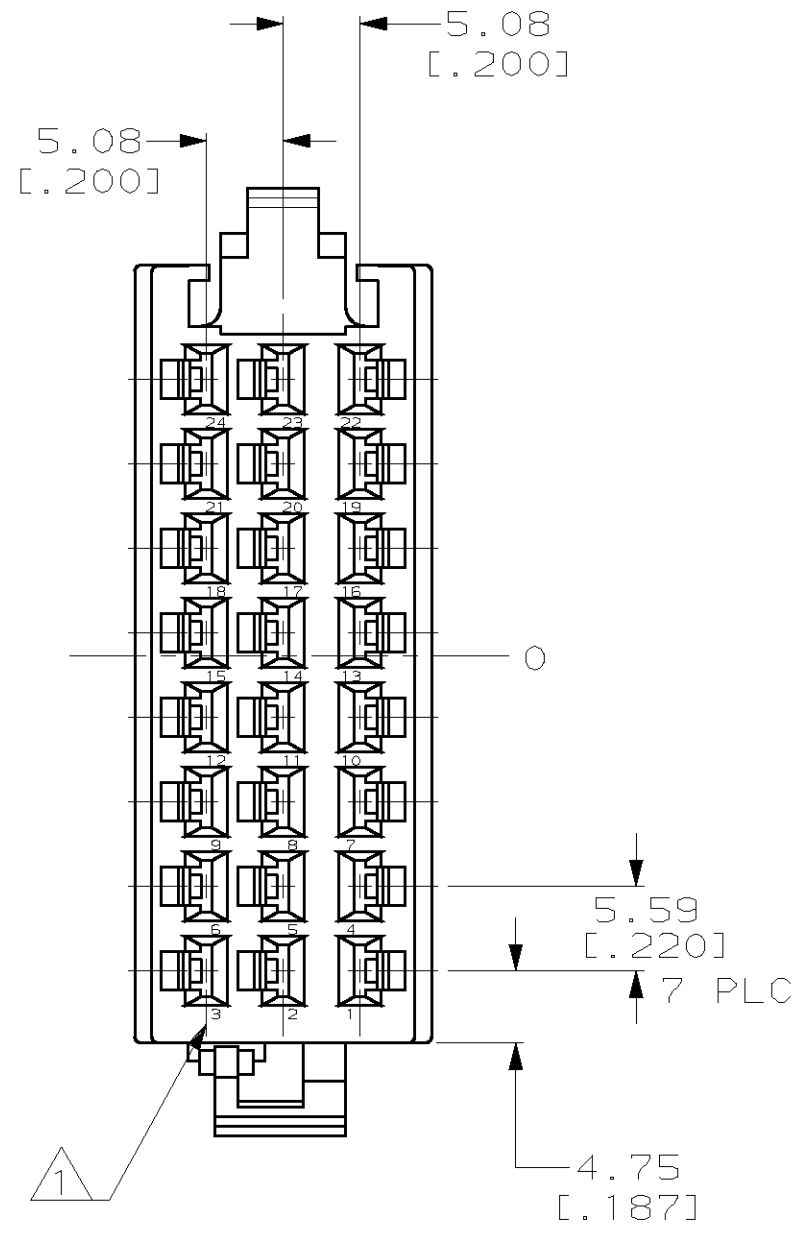


THIS DRAWING IS UNPUBLISHED. RELEASED FOR PUBLICATION  
 (C) COPYRIGHT 19 BY AMP INCORPORATED. ALL RIGHTS RESERVED.

LOC		DIST		REVISIONS			
P	LTR	DATE	DWN	APVD			
AF	50						
		18JUN02	MF	DD	REVISED PER 063A-0322-02		



△ CIRCUIT IDENTIFICATION.



770198-1  
PART NUMBER

THIS DRAWING IS A CONTROLLED DOCUMENT.		DWN	M.S. FEHER	10NOV2000	AMP Incorporated Harrisburg, PA 17105-3608
DIMENSIONS:		CHK	J.R. RUTH	10NOV2000	
mm [inches]		APVD	DON DECKER	10NOV2000	
TOLERANCES UNLESS OTHERWISE SPECIFIED: 0 PLC ±- 1 PLC ±- 2 PLC ±0.25 [.010] 3 PLC ±- 4 PLC ±- ANGLES ±-		PRODUCT SPEC	NAME		
MATERIAL		6/6 NYLON		FINISH	NATURAL
CUSTOMER DRAWING		SIZE	A2	CAGE CODE	00779
SCALE		2:1		DRAWING NO	C-770198
SHEET		1 OF 1		WEIGHT	-
REV		5		HOUSING, LEFT HAND, 24 CIRCUIT, TIMER CONNECTOR	